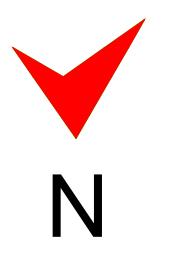
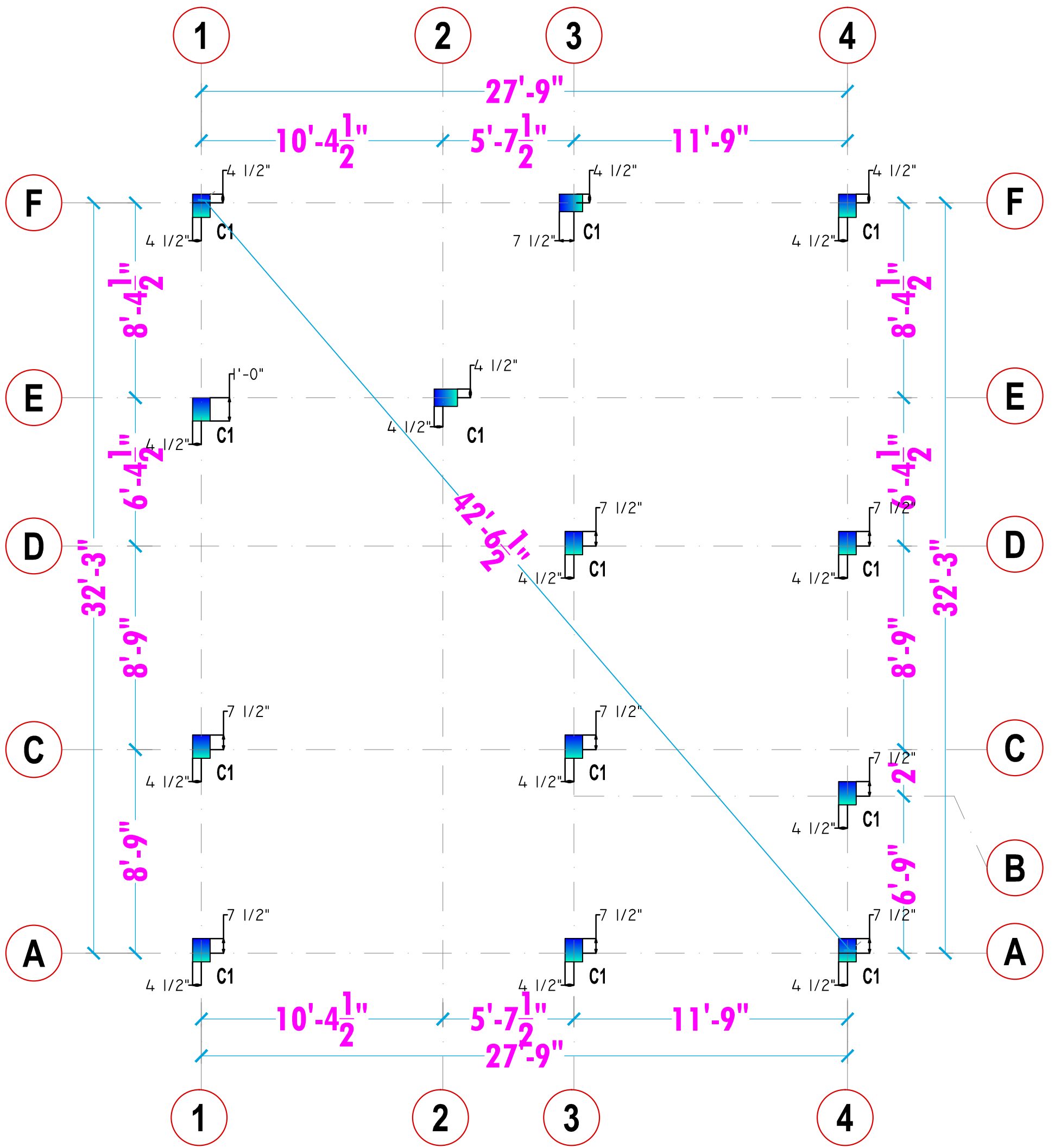


Details

■ C1 - 9" X 1'0" - 13 NOS

**GROUND FLOOR PLAN**



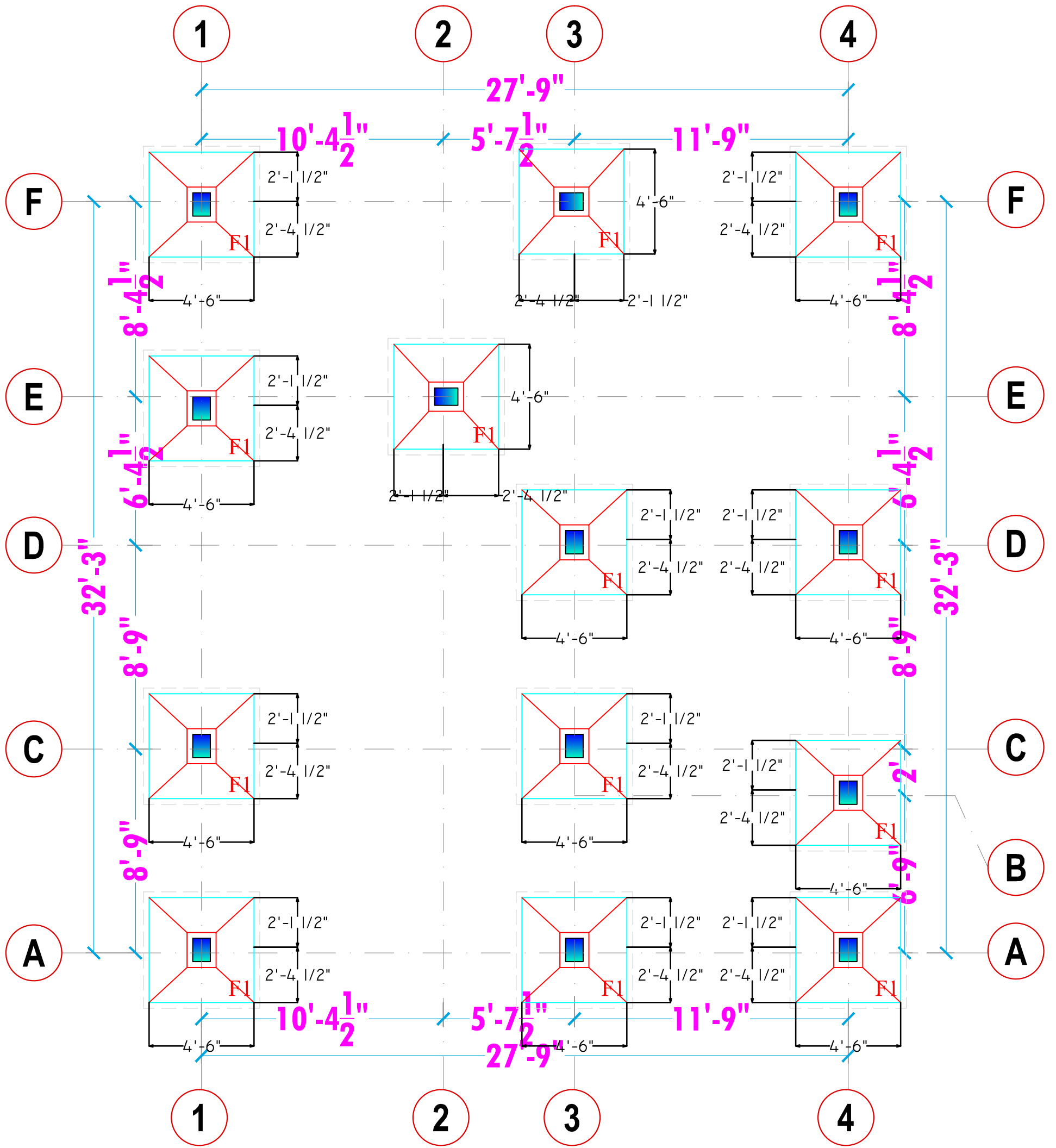


Details

■ C1 - 9" X 1'0" - 13 NOS

CENTERLINE PLAN



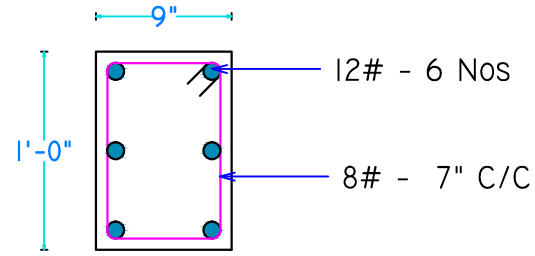


**Details**

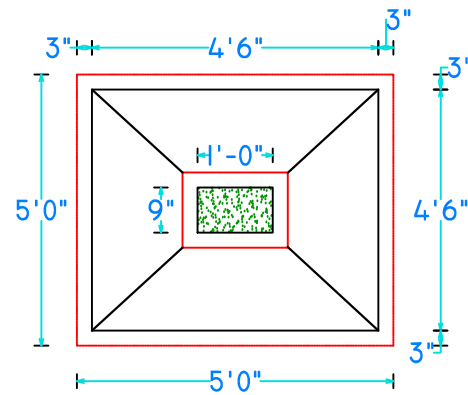
|    | p.c.c. size |       | footing size |       |
|----|-------------|-------|--------------|-------|
| F1 | A           | B     | C            | D     |
|    | 5'-0"       | 5'-0" | 4'-6"        | 4'-6" |

**FOOTING PLAN**

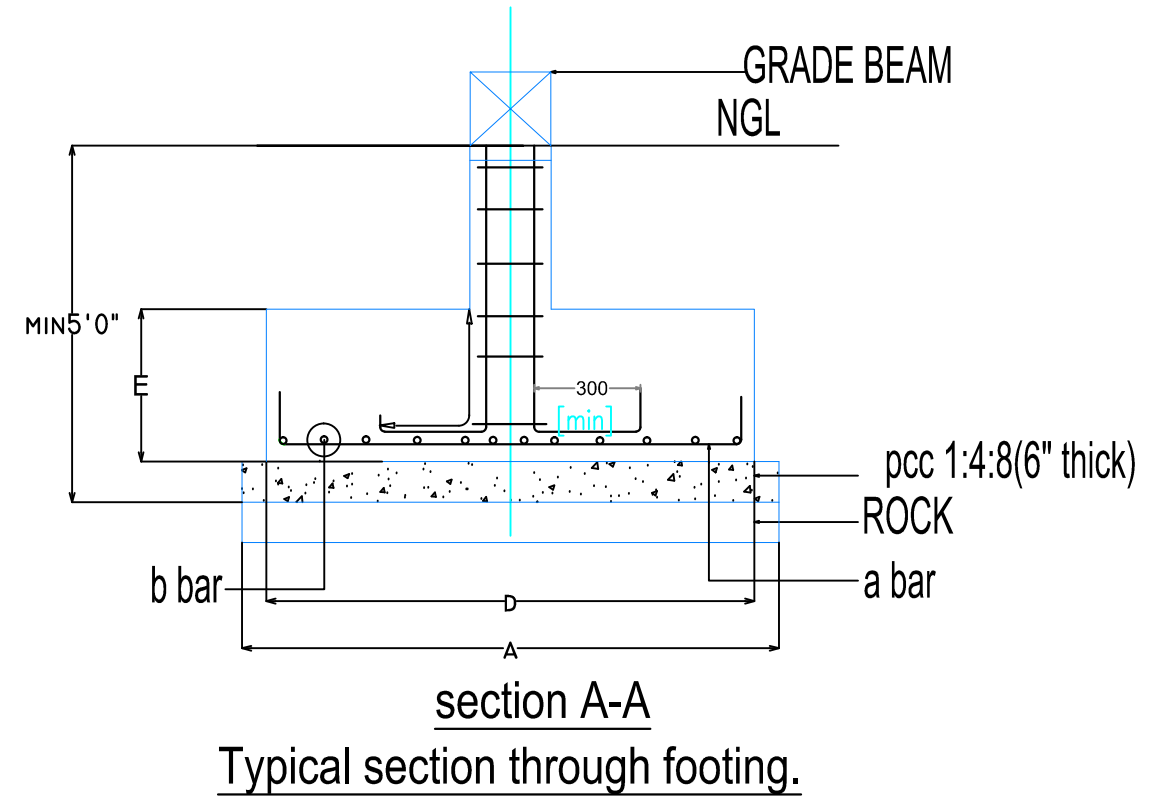




**COLUMN C1**  
9" X 12"  
13NOS



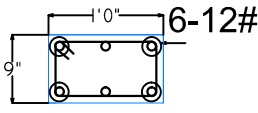
**FOOTING F1**



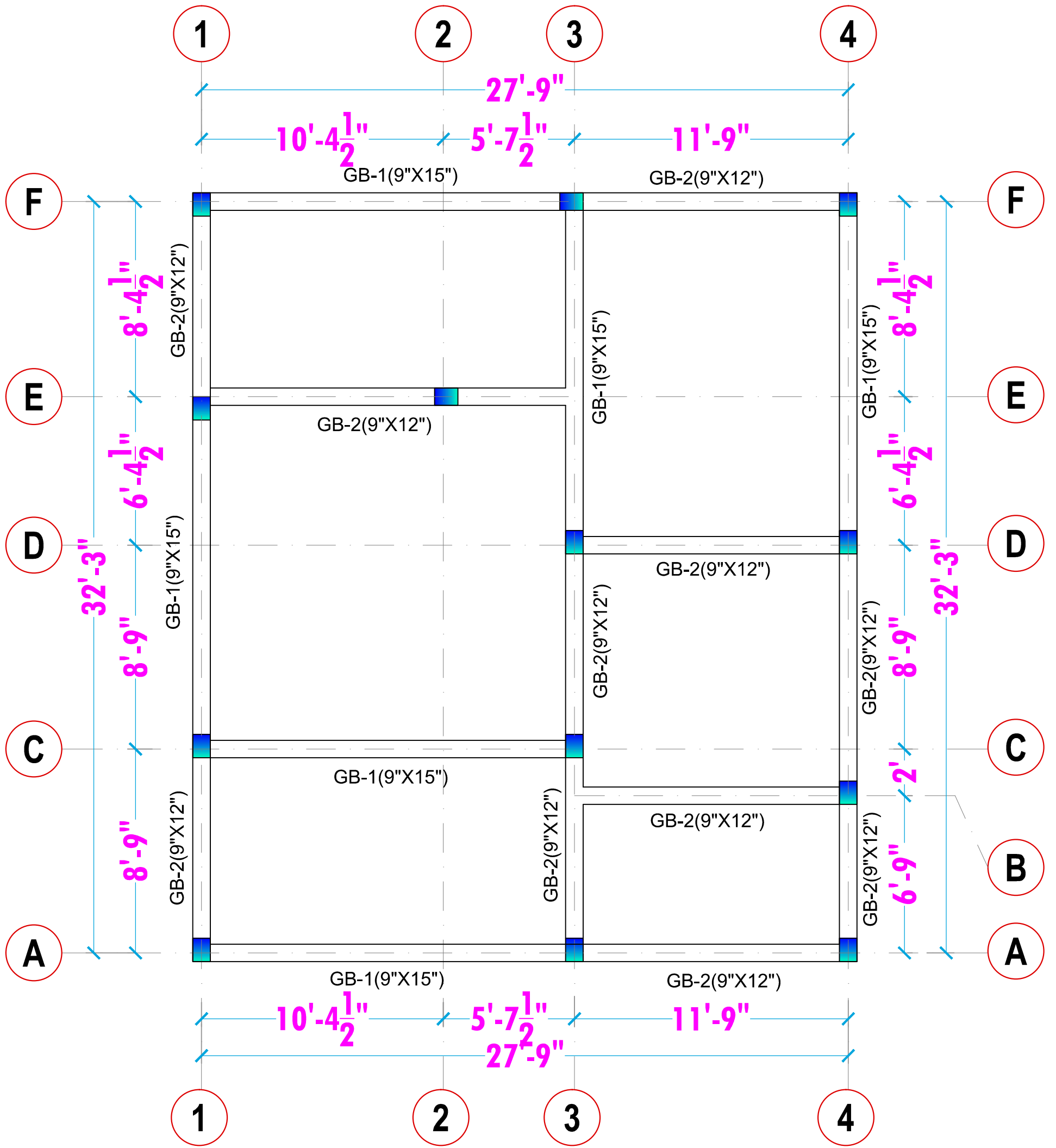
**FOOTING SCHEDULE**

| footing type | p.c.c. size |       | footing size |       | footing depth | footing reinforcement |           |
|--------------|-------------|-------|--------------|-------|---------------|-----------------------|-----------|
|              | A           | B     | C            | D     | E             | 'a' bar               | 'b' bar   |
| <b>F1</b>    | 5'-0"       | 5'-0" | 4'-6"        | 4'-6" | 1'-0"         | 10#@6"c/c             | 10#@6"c/c |

**COLUMN SCHEDULE**

|                                       |   |
|---------------------------------------|---|
| From Footing top to terrace floor lvl |  |
| Mix                                   | M 20  |
| Size                                  | 9" x 12"  |
| Column links                          | 8#@7"c/c  |
| Column type                           | <b>C1</b>   |

**COLUMN & FOOTING DETAILS**

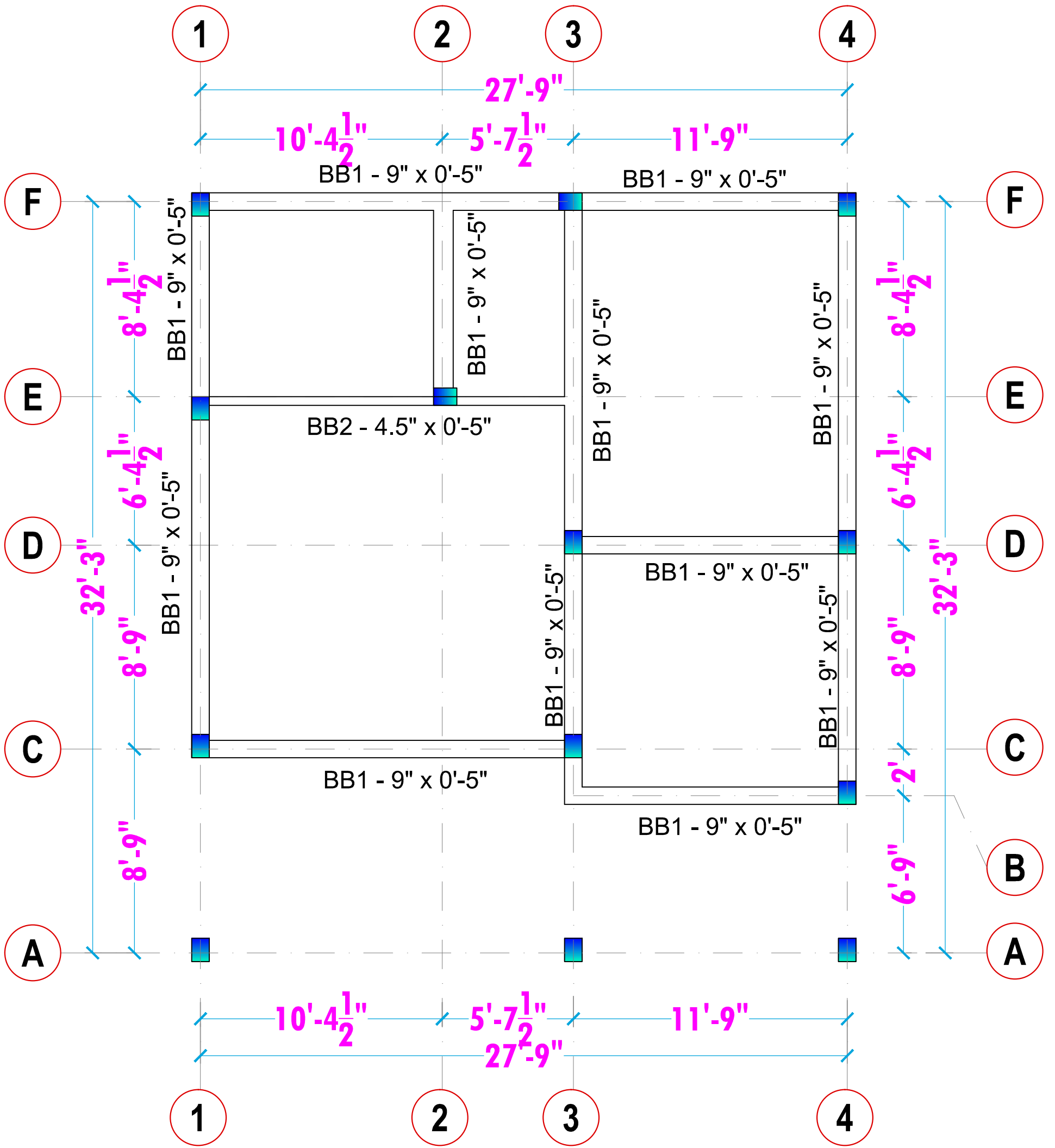


Details

GB-1 - 9" x 1'-3"  
 GB-2 - 9" x 1'-0"

**GRADE BEAM PLAN**





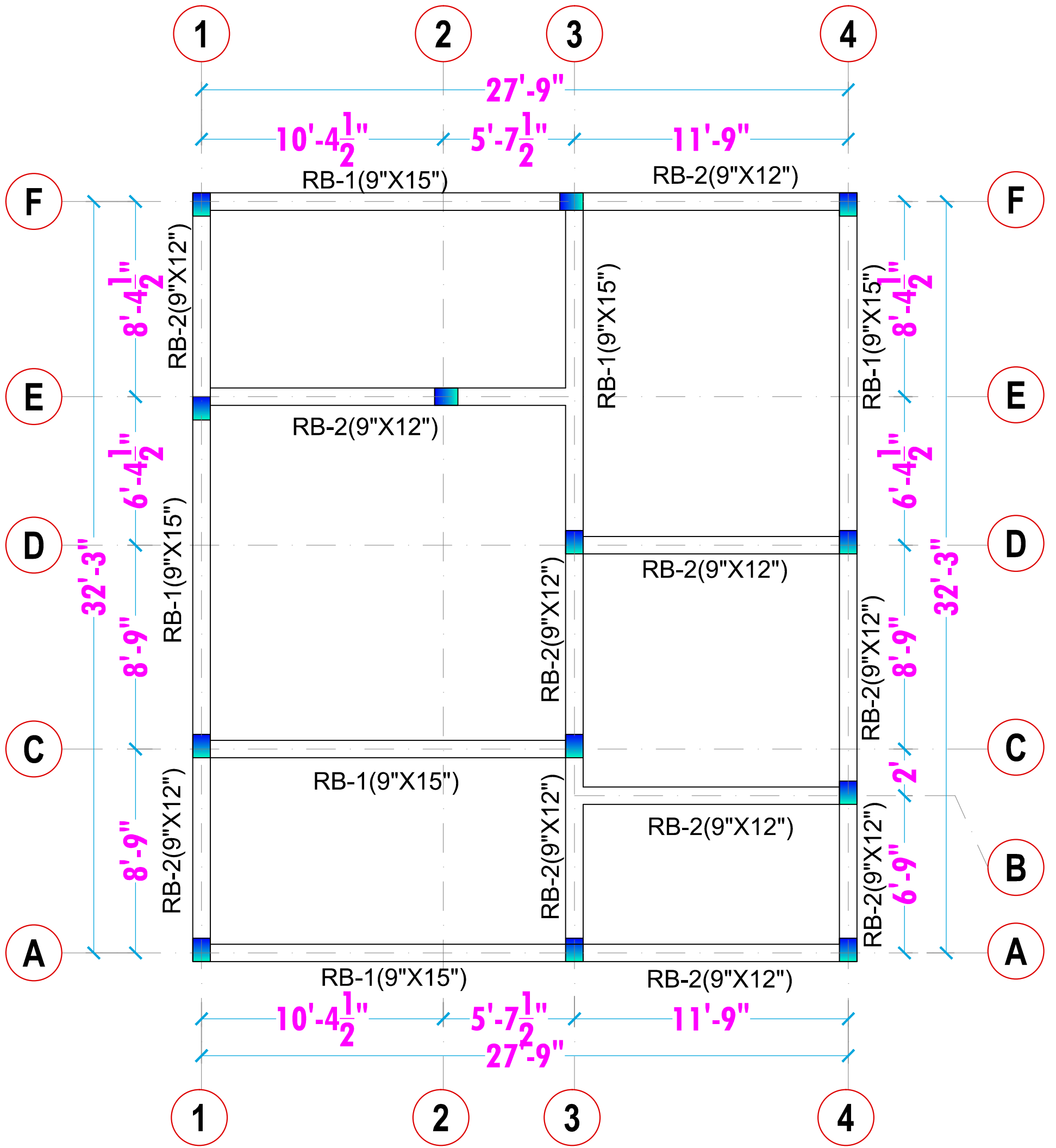
Details

BB-1 - 9" x 5"

BB-2 - 4.5" x 5"

BELT BEAM PLAN



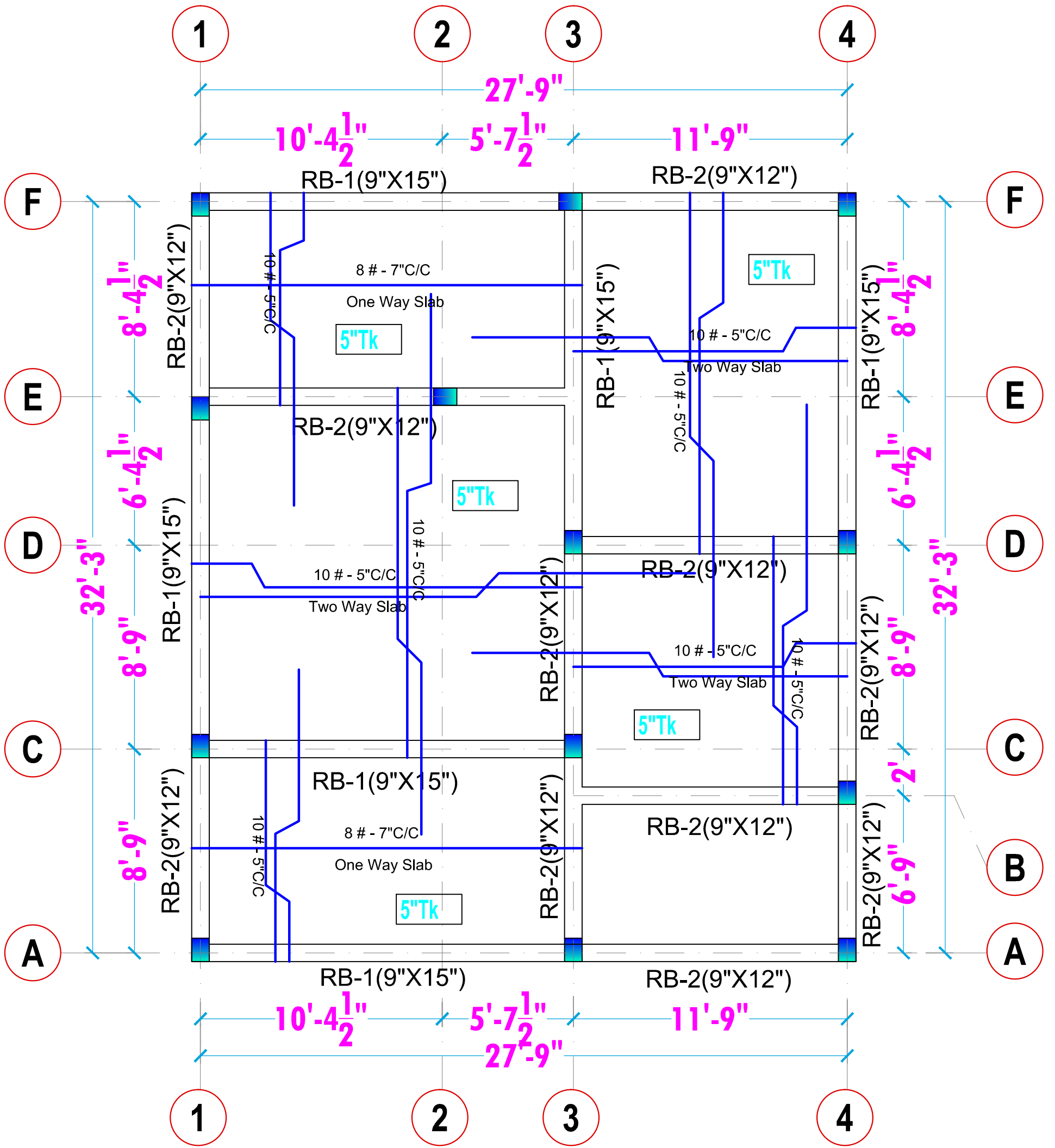


Details

RB-1 - 9" x 1'-3"  
 RB-2 - 9" x 1'-0"

ROOF BEAM PLAN





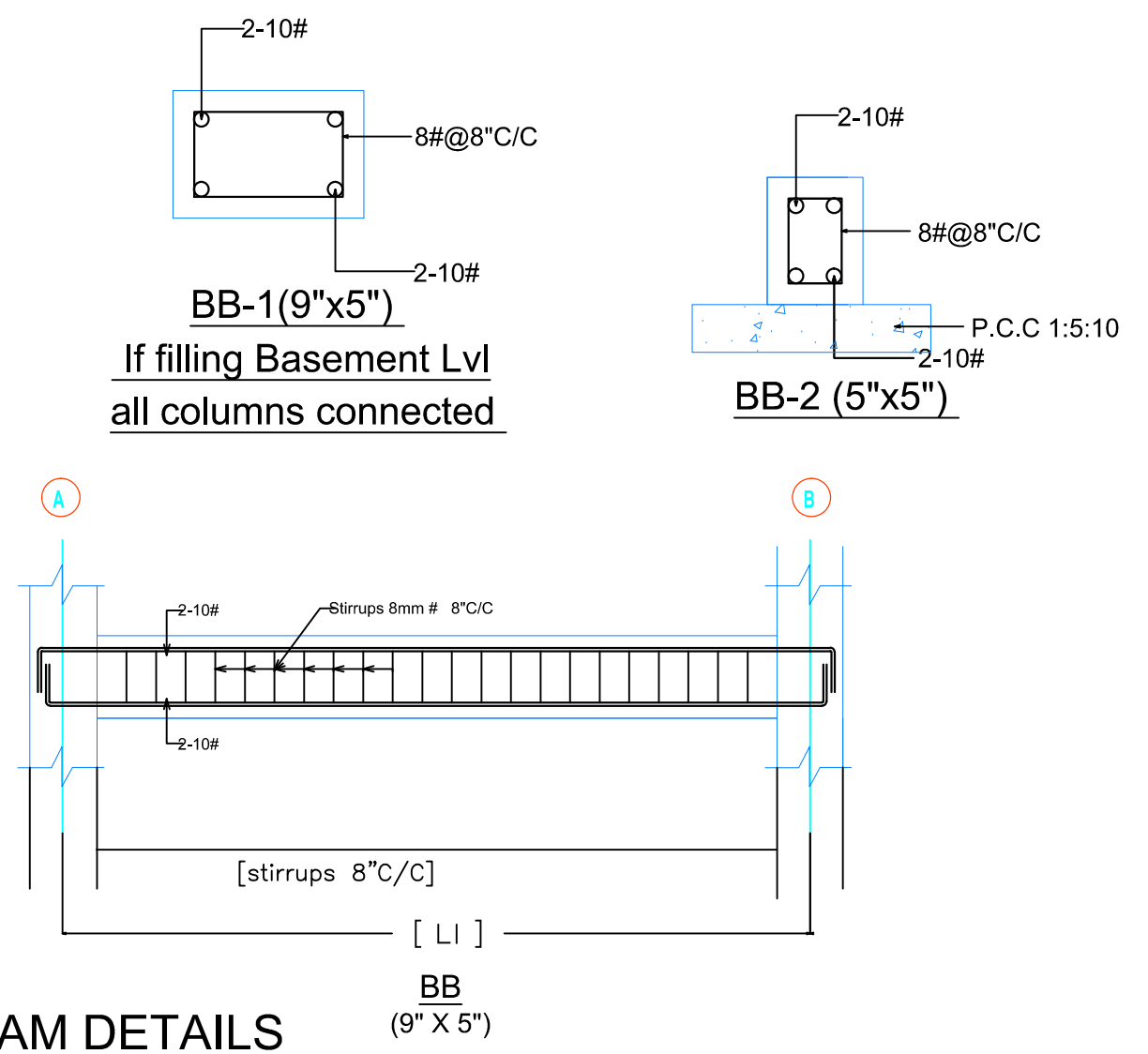
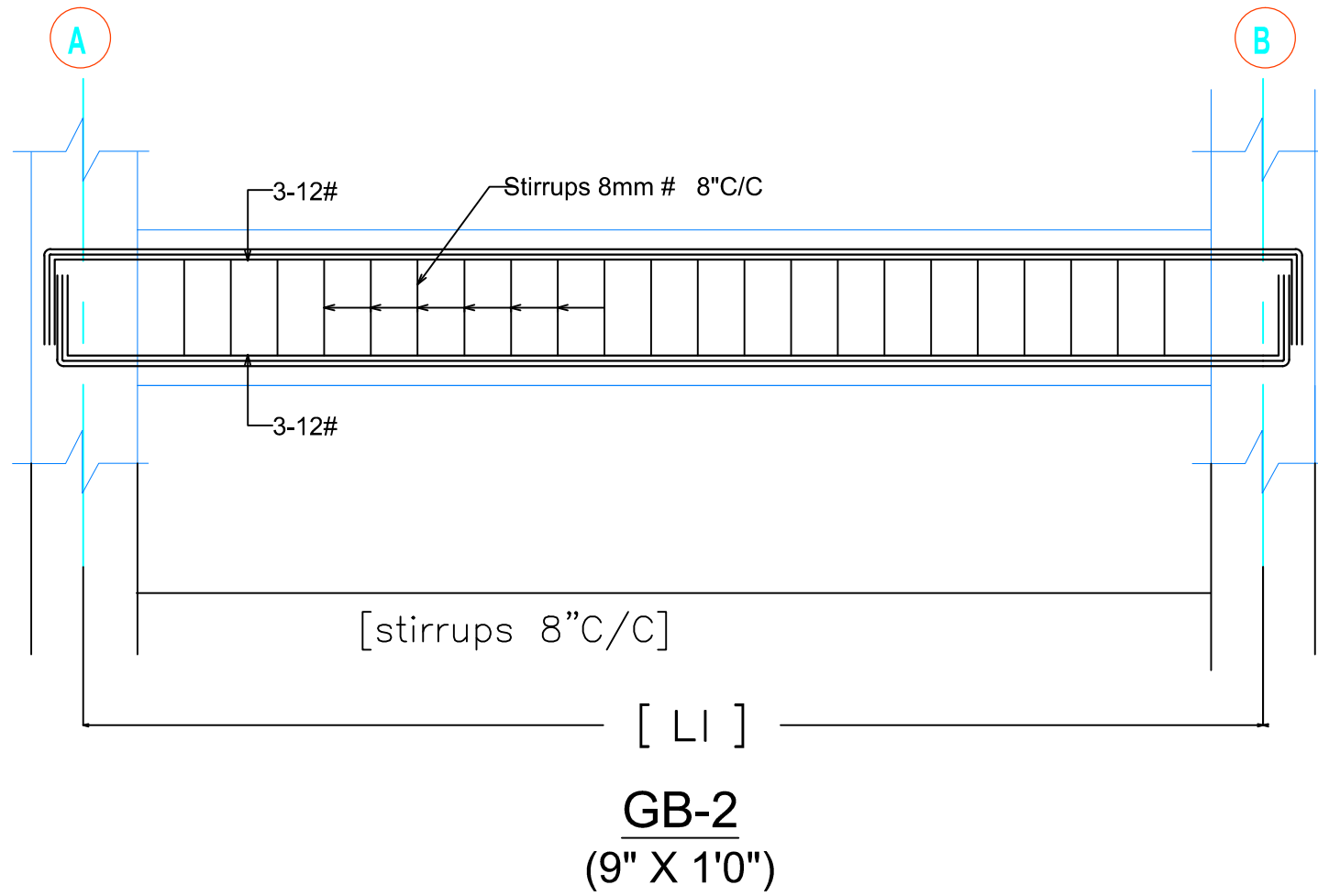
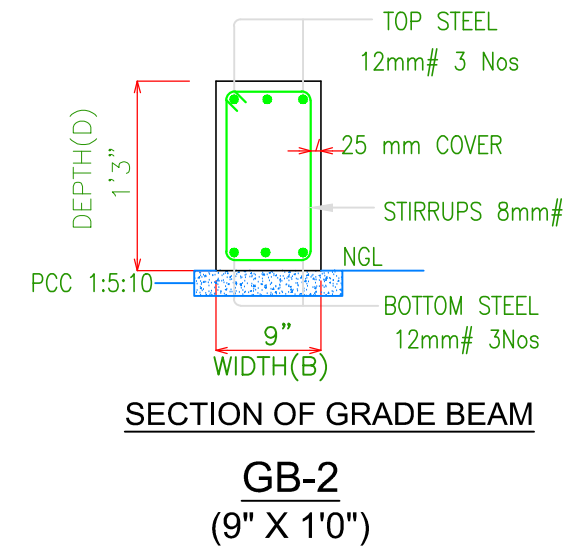
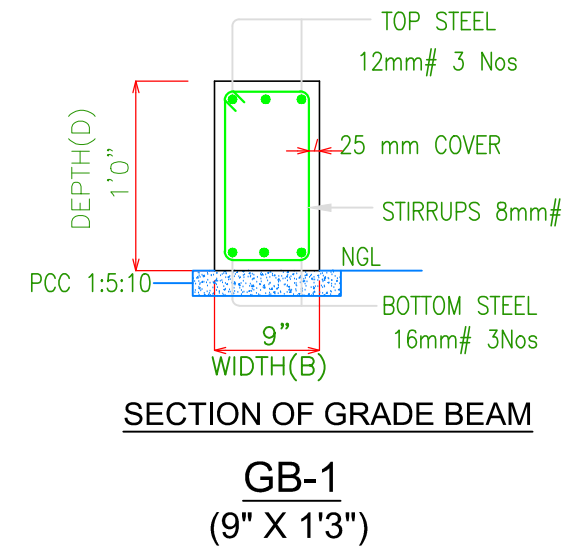
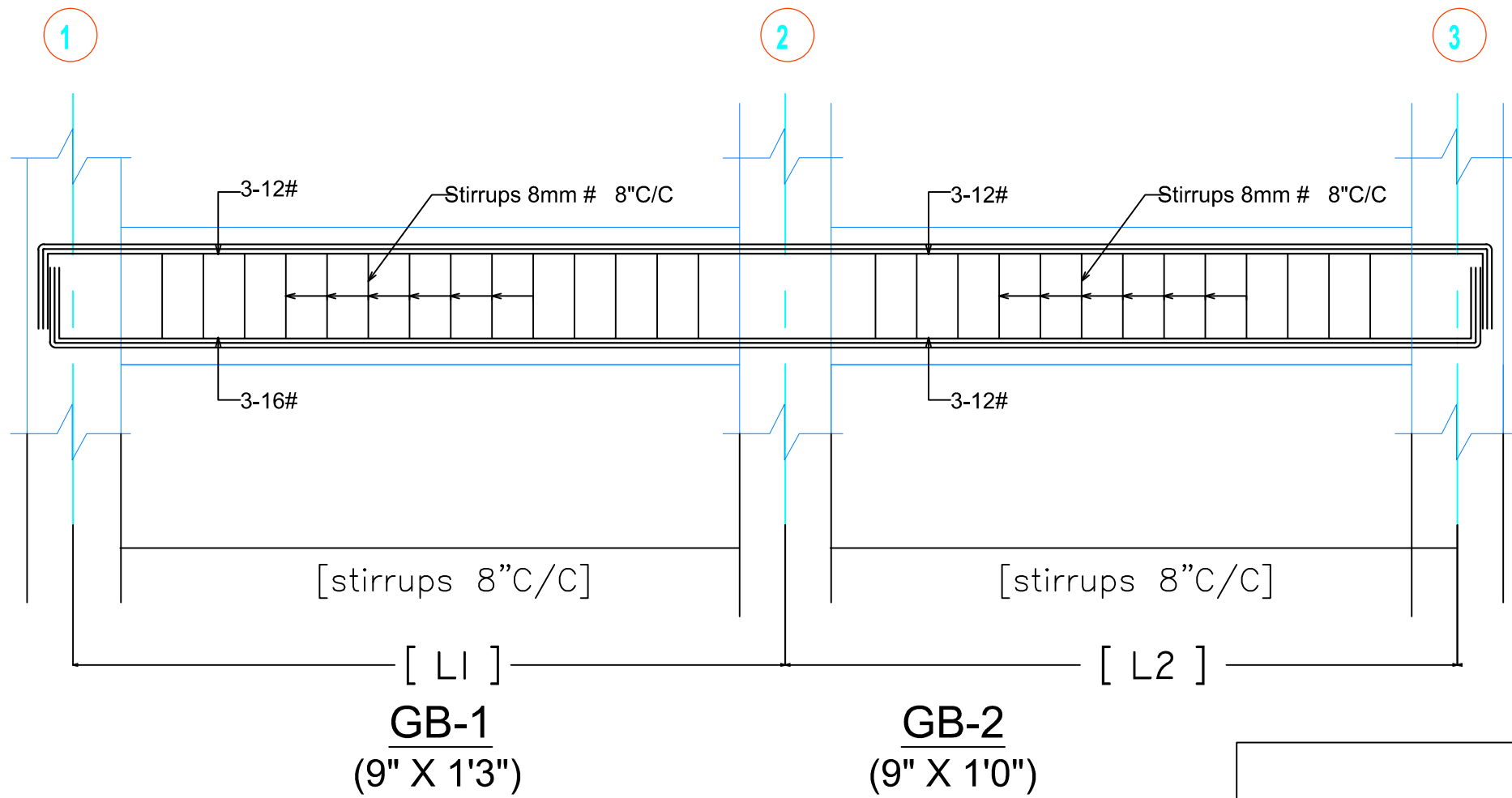
Details

RB-1 - 9" x 1'-3"  
 RB-2 - 9" x 1'-0"

ROOF SLAB PLAN

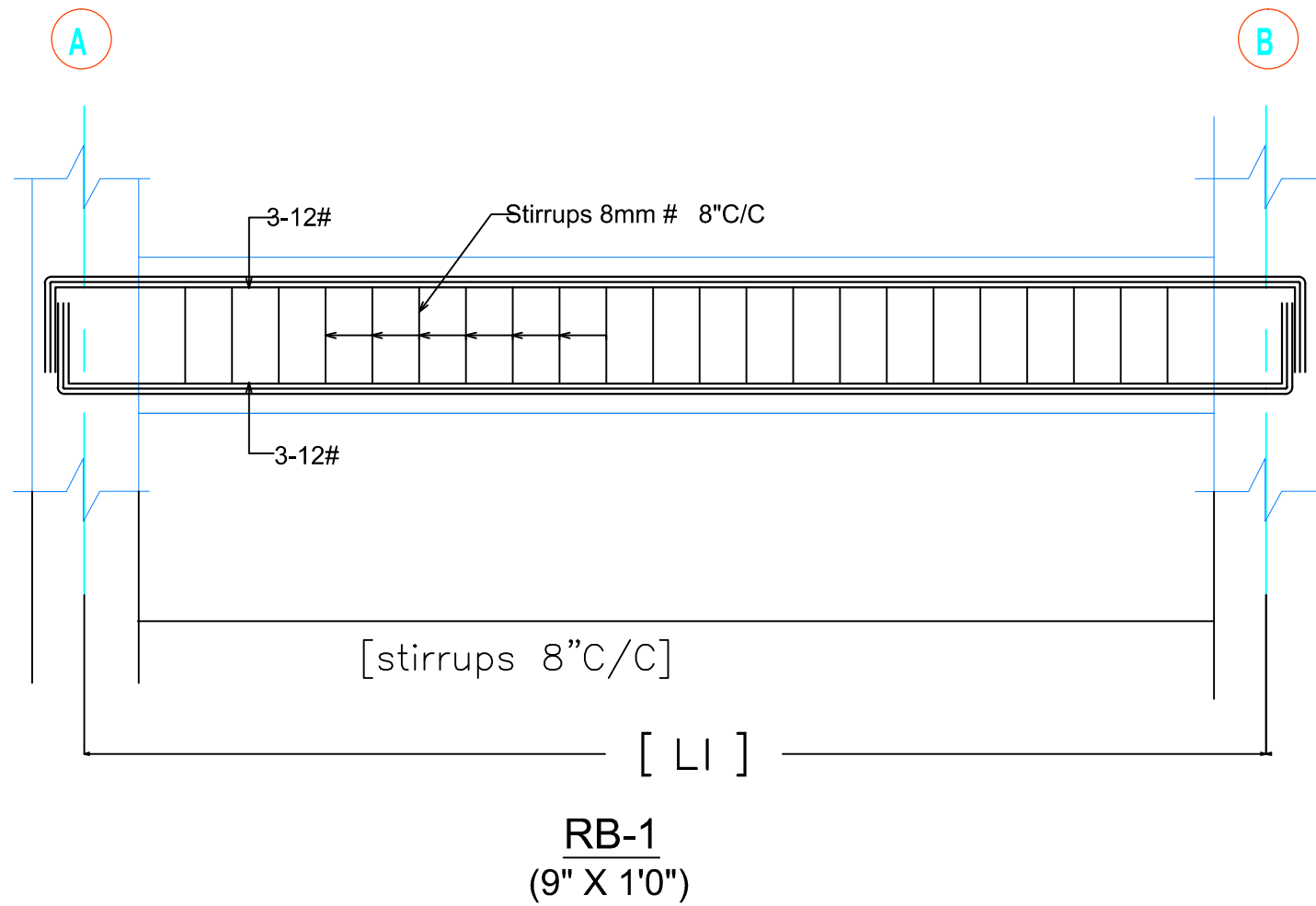
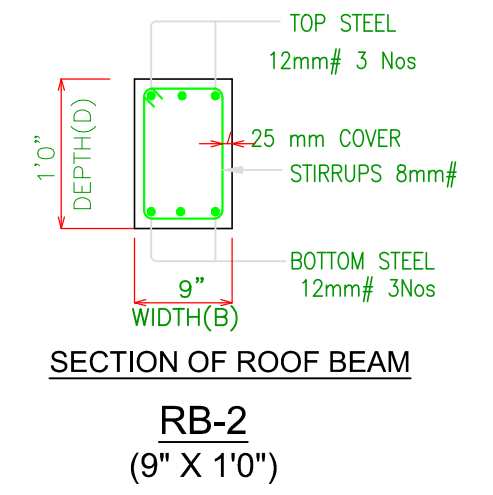
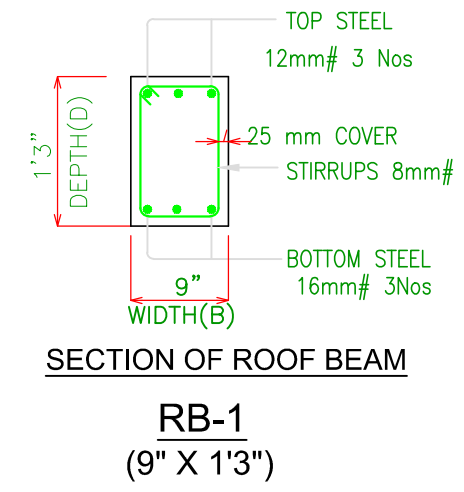
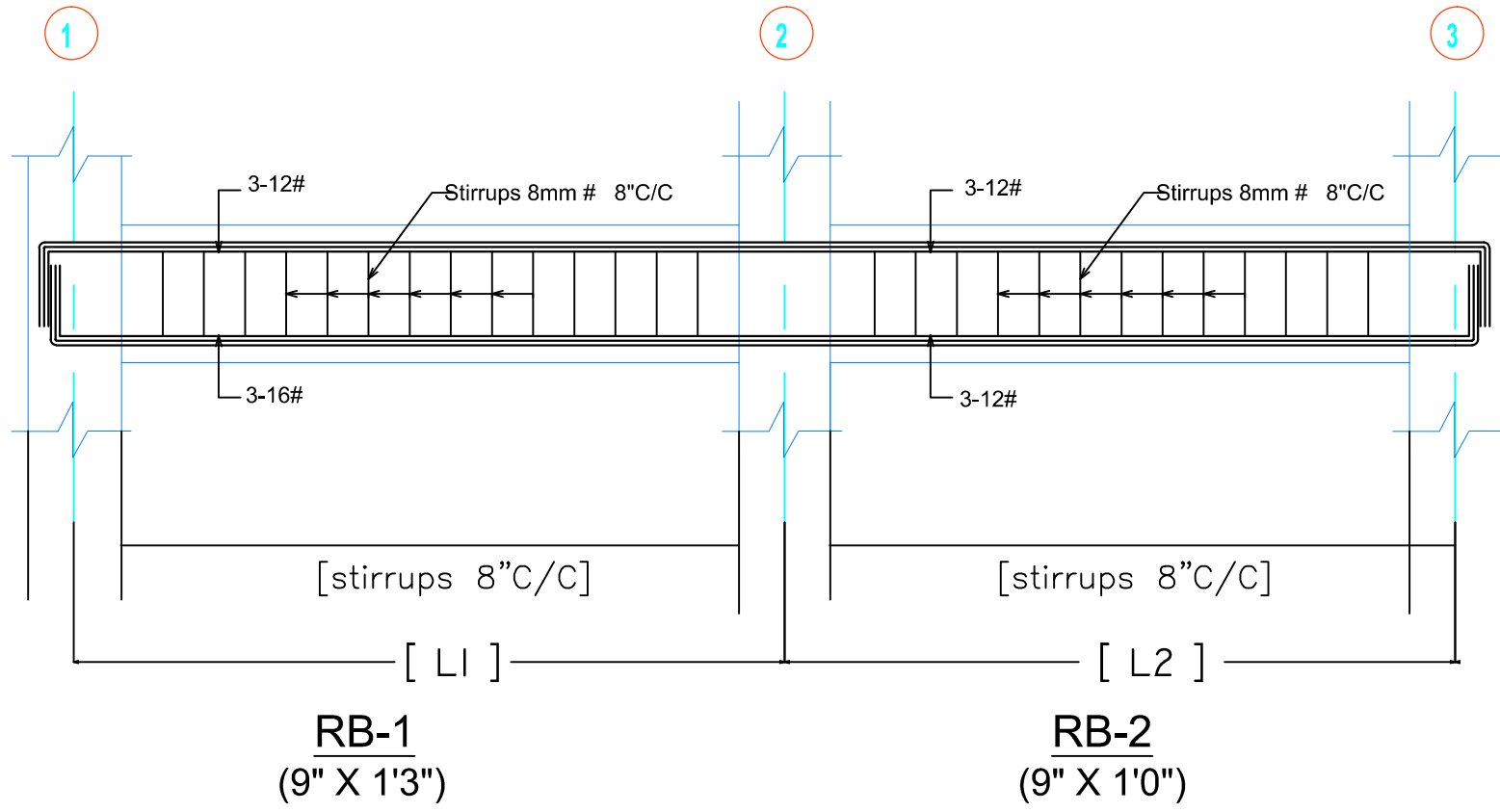


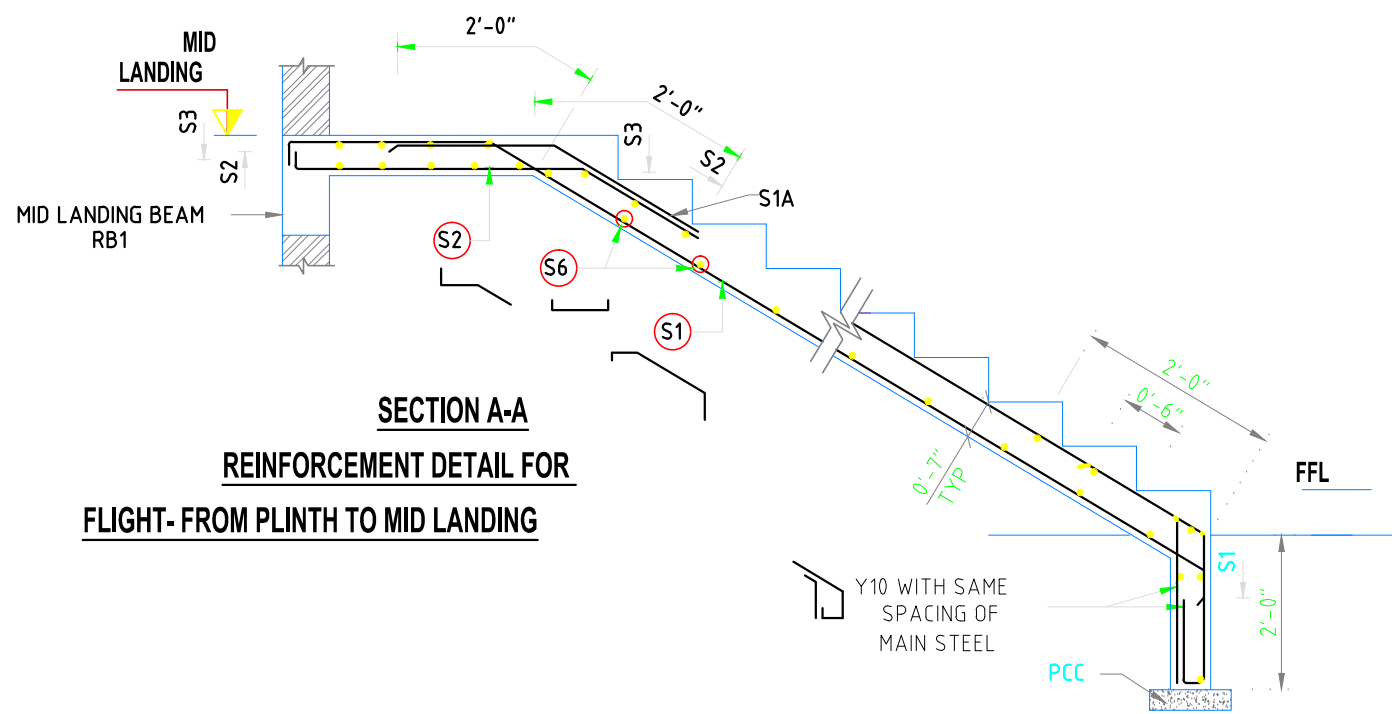




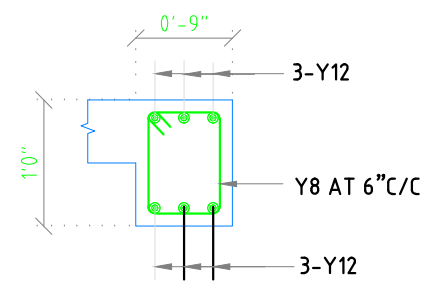
**GRADE BEAM DETAIL**

**BELT BEAM DETAILS**

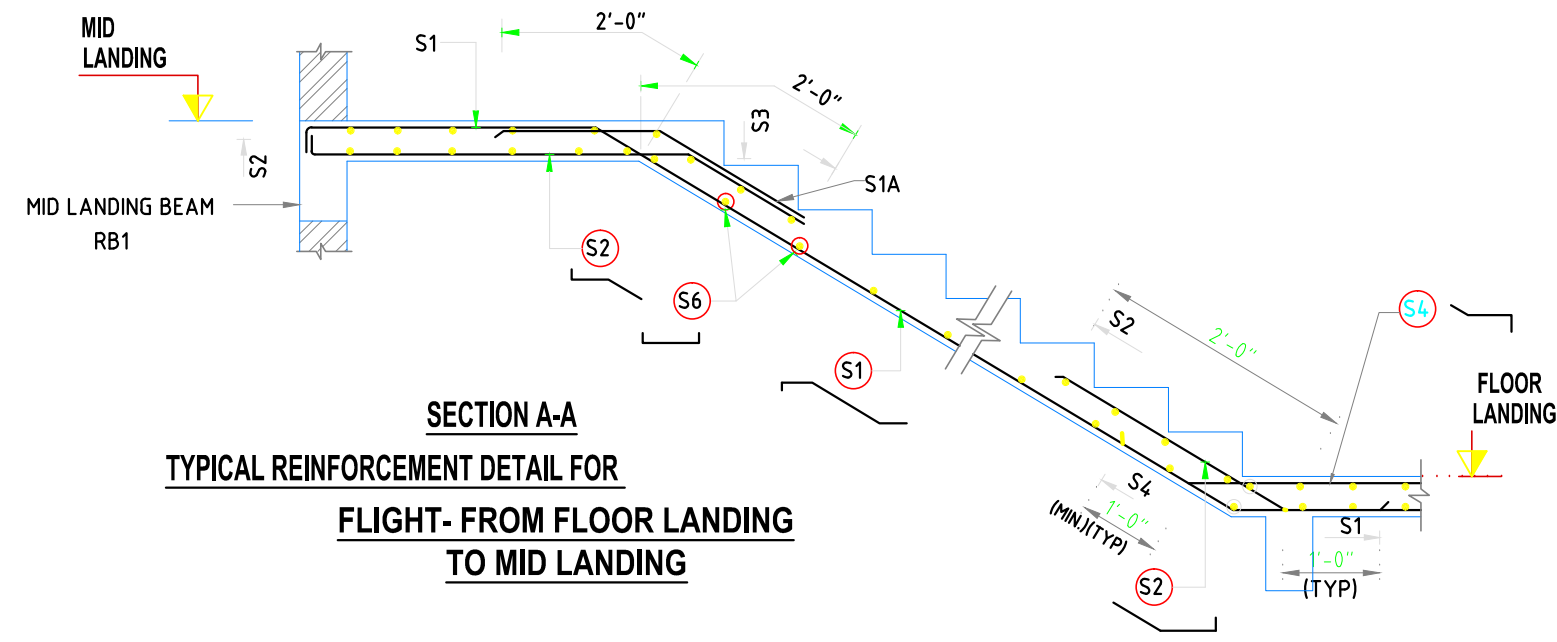




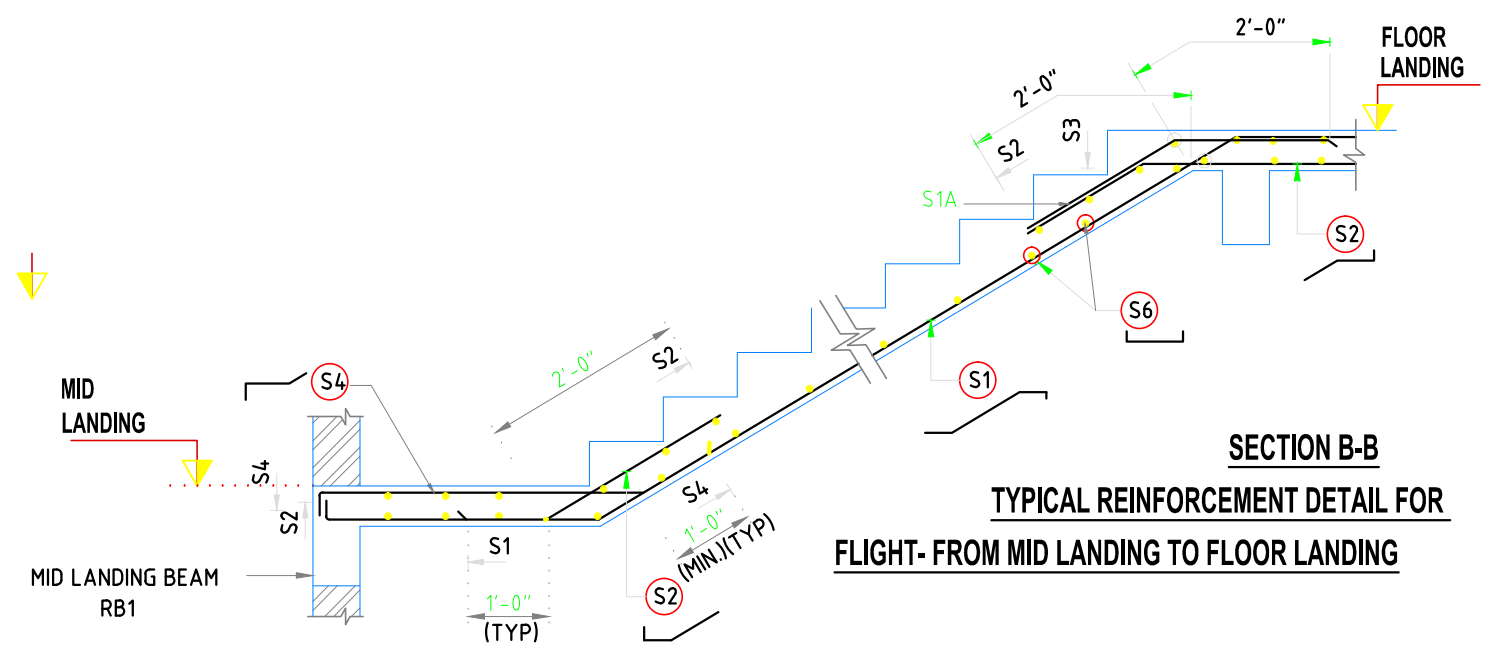
**SECTION A-A**  
**REINFORCEMENT DETAIL FOR**  
**FLIGHT- FROM PLINTH TO MID LANDING**



**TYP BEAM-B1 DETAIL**  
 SCALE: NTS  
 (MID LANDING BEAM)



**SECTION A-A**  
**TYPICAL REINFORCEMENT DETAIL FOR**  
**FLIGHT- FROM FLOOR LANDING**  
**TO MID LANDING**



**SECTION B-B**  
**TYPICAL REINFORCEMENT DETAIL FOR**  
**FLIGHT- FROM MID LANDING TO FLOOR LANDING**

# STAIRCASE DETAILS

## STAIRCASE REINFORCEMENT:

|                           |               |
|---------------------------|---------------|
| WAIST SLAB THICKNESS      | 5" THK        |
| ALL MAIN BARS (S1 to S5)  | Y12 AT 5" C/C |
| DISTRIBUTION REINFT. (S6) | Y8 AT 8" C/C  |